

# Reykjavik Judo Open 23. Jan. 2016 Reykjavík M +100

Competitors: 6

## Competitors A

#	Name	Club	1	2	3	Wins	Pts	Pos
1	Adrián INGIMUNDARSON	ISL		10		1	10	2
2	Arnar VIÐARSSON	ISL				0	0	3
3	Piotr SZAREK	POL	10	10		2	20	1

## Matches A

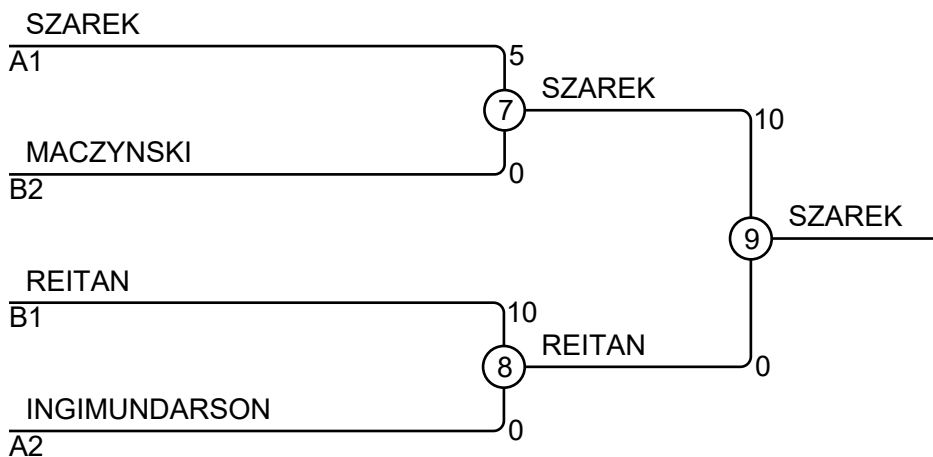
Match	White	Blue	Result	Time
1	Adrián INGIMUNDARSON 1 2	Arnar VIÐARSSON	10 - 0	1:27
3	Adrián INGIMUNDARSON 1 3	Piotr SZAREK	0 - 10	3:34
5	Arnar VIÐARSSON 2 3	Piotr SZAREK	0 - 10	1:42

## Competitors B

#	Name	Club	4	5	6	Wins	Pts	Pos
4	Henrik REITAN	NOR		10	10	2	20	1
5	Björn SIGUÐARSON	ISL				0	0	3
6	Rafal MACZYNSKI	POL		10		1	10	2

## Matches B

Match	White	Blue	Result	Time
2	Henrik REITAN 4 5	Björn SIGUÐARSON	10 - 0	0:32
4	Henrik REITAN 4 6	Rafal MACZYNSKI	10 - 0	3:51
6	Björn SIGUÐARSON 5 6	Rafal MACZYNSKI	0 - 10	1:21



## Results

Pos	Name
1	Piotr SZAREK, POL
2	Henrik REITAN, NOR
3	Rafal MACZYNSKI, POL
3	Adrián INGIMUNDARSON, ISL