

Nordic Judo 09-10. 5. 2015 Reykjavík M-66

Competitors: 7

Competitors A

#	Name	Club	1	2	3	4	Wins	Pts	Pos
1	David LUNDGREN	SWE							
2	Vadud BALATKHANOV	FIN							
3	Niklas CLAESSION	NOR							
4	Vilhelm Halldór SVANSSON	ISL							

Matches A

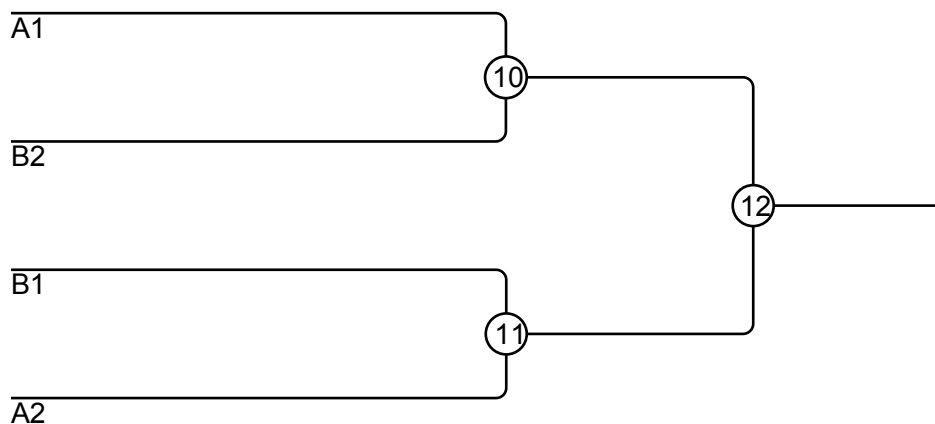
Match	White		Blue		Result	Time
1	David LUNDGREN	1	2	Vadud BALATKHANOV		
2	Niklas CLAESSION	3	4	Vilhelm Halldór SVANSSON		
4	David LUNDGREN	1	3	Niklas CLAESSION		
5	Vadud BALATKHANOV	2	4	Vilhelm Halldór SVANSSON		
7	David LUNDGREN	1	4	Vilhelm Halldór SVANSSON		
8	Vadud BALATKHANOV	2	3	Niklas CLAESSION		

Competitors B

#	Name	Club	5	6	7	Wins	Pts	Pos
5	Janusz Gabriel KOMENDERA	ISL						
6	Brynjólfur INGVARSSON	ISL						
7	John FORSELIUS	SWE						

Matches B

Match	White		Blue		Result	Time
3	Janusz Gabriel KOMENDERA	5	6	Brynjólfur INGVARSSON		
6	Janusz Gabriel KOMENDERA	5	7	John FORSELIUS		
9	Brynjólfur INGVARSSON	6	7	John FORSELIUS		



Results

Pos	Name
1	
2	
3	
3	