

Nordic Judo 09-10. 5. 2015 Reykjavík M1M3-90

Competitors: 6

Competitors A

#	Name	Club	1	2	3	Wins	Pts	Pos
1	Gunnar Örn ARNÓRSSON	ISL		10	10	2	20	1
2	Tony THORESEN	NOR				0	0	3
3	Karl BAKER	SWE		10		1	10	2

Matches A

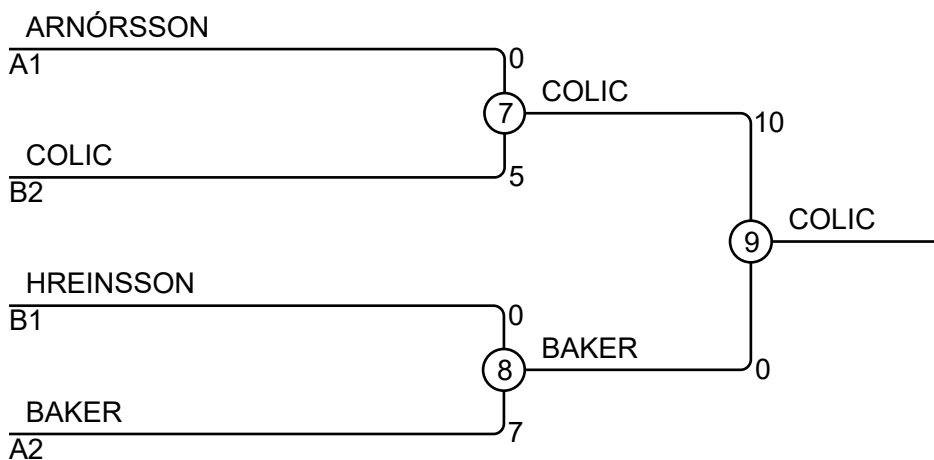
Match	White		Blue	Result	Time
1	Gunnar Örn ARNÓRSSON	1	2	Tony THORESEN	10 - 0 0:15
3	Gunnar Örn ARNÓRSSON	1	3	Karl BAKER	10 - 0 0:17
5	Tony THORESEN	2	3	Karl BAKER	0 - 10 2:09

Competitors B

#	Name	Club	4	5	6	Wins	Pts	Pos
4	Einar Örn HREINSSON	ISL		10		1	10	1
5	Dejan COLIC	SWE			10	1	10	2
6	Rickard IGELSTRÖM	SWE	1			1	1	3

Matches B

Match	White		Blue	Result	Time
2	Einar Örn HREINSSON	4	5	Dejan COLIC	10 - 0 0:49
4	Einar Örn HREINSSON	4	6	Rickard IGELSTRÖM	0 - 1 3:00
6	Dejan COLIC	5	6	Rickard IGELSTRÖM	10 - 0 0:51



Results

Pos	Name
1	Dejan COLIC, SWE
2	Karl BAKER, SWE
3	Gunnar Örn ARNÓRSSON, ISL
3	Einar Örn HREINSSON, ISL