

Nordic Judo 09-10. 5. 2015 Reykjavík W-63

Competitors: 7

Competitors A

#	Name	Club	1	2	3	4	Wins	Pts	Pos
1	Telma Eldrún MAGNÚSDÓTTIR	ISL					0	0	4
2	Jessika SUNDBERG	SWE	10				1	10	3
3	Sofie BJÖRKLUND	SWE	10	10			2	20	2
4	Louise HANSEN	DEN	10	10	1		3	21	1

Matches A

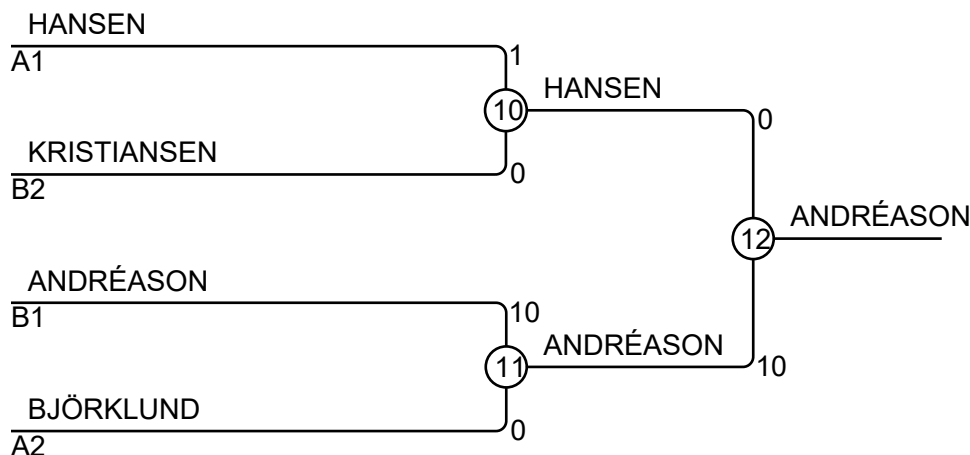
Match	White	Blue	Result	Time
1	Telma Eldrún MAGNÚSDÓTTIR 1 2	Jessika SUNDBERG	0 - 10	1:11
2	Sofie BJÖRKLUND 3 4	Louise HANSEN	0 - 1	4:00
4	Telma Eldrún MAGNÚSDÓTTIR 1 3	Sofie BJÖRKLUND	0 - 10	0:44
5	Jessika SUNDBERG 2 4	Louise HANSEN	0 - 10	3:36
7	Telma Eldrún MAGNÚSDÓTTIR 1 4	Louise HANSEN	0 - 10	0:46
8	Jessika SUNDBERG 2 3	Sofie BJÖRKLUND	0 - 10	2:33

Competitors B

#	Name	Club	5	6	7	Wins	Pts	Pos
5	Jennie ANDRÉASON	SWE		10	10	2	20	1
6	Veronica KRISTIANSEN	NOR			1	1	1	2
7	Loredana LARI	FIN				0	0	3

Matches B

Match	White	Blue	Result	Time
3	Jennie ANDRÉASON 5 6	Veronica KRISTIANSEN	10 - 0	0:51
6	Jennie ANDRÉASON 5 7	Loredana LARI	10 - 0	1:22
9	Veronica KRISTIANSEN 6 7	Loredana LARI	1 - 0	4:00



Results

Pos	Name
1	Jennie ANDRÉASON, SWE
2	Louise HANSEN, DEN
3	Veronica KRISTIANSEN, NOR
3	Sofie BJÖRKLUND, SWE