

# Nordic Judo 09-10. 5. 2015 Reykjavík M21 -60

Competitors: 6

## Competitors A

#	Name	Club	1	2	3	Wins	Pts	Pos
1	Johan-Fredrik HEFFERMEHL	NOR						
2	Dofri BRAGASON	ISL						
3	Daniel LEGRAF	SWE						

## Matches A

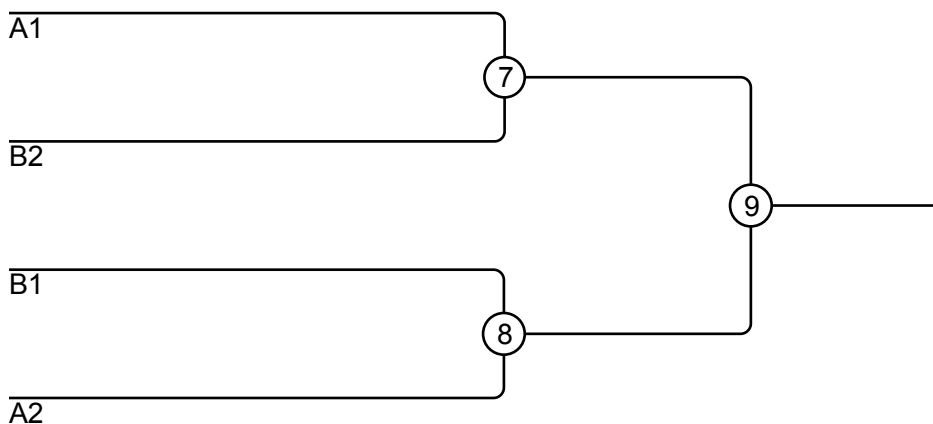
Match	White	Blue	Result	Time
1	Johan-Fredrik HEFFERMEHL	Dofri BRAGASON		
3	Johan-Fredrik HEFFERMEHL	Daniel LEGRAF		
5	Dofri BRAGASON	Daniel LEGRAF		

## Competitors B

#	Name	Club	4	5	6	Wins	Pts	Pos
4	John HAGLÖW	SWE						
5	Sander KNUTSEN	NOR						
6	Ægir Már BALDVINSSON	ISL						

## Matches B

Match	White	Blue	Result	Time
2	John HAGLÖW	Sander KNUTSEN		
4	John HAGLÖW	Ægir Már BALDVINSSON		
6	Sander KNUTSEN	Ægir Már BALDVINSSON		



## Results

Pos	Name
1	
2	
3	
3	