

Nordic Judo 09-10. 5. 2015 Reykjavík W18 -52

Keppendur: 7

Keppendur A

Nr	Nafn	Félag	1	2	3	4	Vin.	Stig	Sæti
1	Matilde PEDERSEN	DEN			10	10	2	20	2
2	Rosa ALSGAARD	NOR	10		10	10	3	30	1
3	Camilla LUNDKVIST	SWE					0	0	4
4	Elin STIGBORG	SWE			10		1	10	3

Viðureignir A

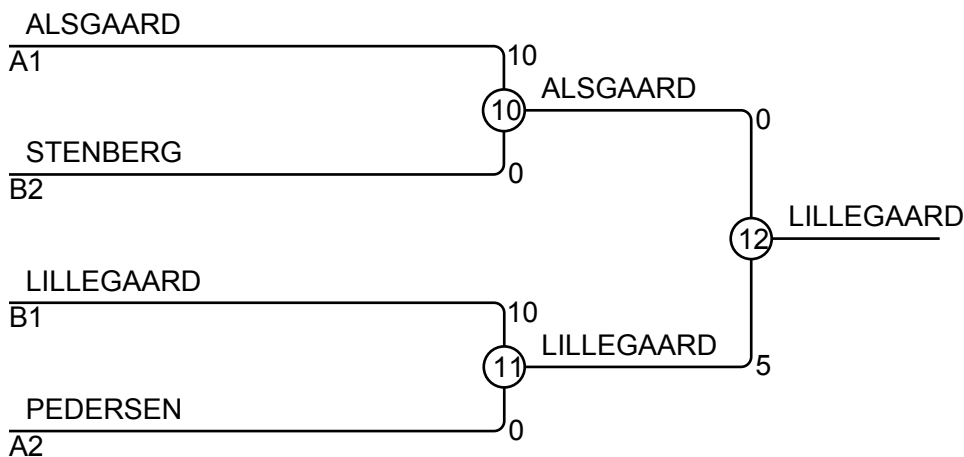
Viðureign	Hvítur	Blár	Úrslit	Tími
1	Matilde PEDERSEN	Rosa ALSGAARD	0 - 10	3:12
2	Camilla LUNDKVIST	Elin STIGBORG	0 - 10	1:20
4	Matilde PEDERSEN	Camilla LUNDKVIST	10 - 0	0:49
5	Rosa ALSGAARD	Elin STIGBORG	10 - 0	1:07
7	Matilde PEDERSEN	Elin STIGBORG	10 - 0	2:05
8	Rosa ALSGAARD	Camilla LUNDKVIST	10 - 0	3:37

Keppendur B

Nr	Nafn	Félag	5	6	7	Vin.	Stig	Sæti
5	Linn STENBERG	SWE		10		1	10	2
6	Christina SANDELL	FIN				0	0	3
7	Thea LILLEGAARD	NOR	10	10		2	20	1

Viðureignir B

Viðureign	Hvítur	Blár	Úrslit	Tími
3	Linn STENBERG	Christina SANDELL	10 - 0	3:32
6	Linn STENBERG	Thea LILLEGAARD	0 - 10	0:38
9	Christina SANDELL	Thea LILLEGAARD	0 - 10	0:48



Úrslit

Sæti	Nafn
1	Thea LILLEGAARD, NOR
2	Rosa ALSGAARD, NOR
3	Linn STENBERG, SWE
3	Matilde PEDERSEN, DEN