

Reykjavík Judo Open 26. jan. 2019 Laugardalshöll M -66

Competitors A

Competitors: 7

#	Name	Grade	Club	1	2	3	4	Wins	Pts	Pos
1	Gunnar GUÐMUNDSSON	2.kyu	ISL					0	0	4
2	Bartlomiej GARBACIK	?	POL	10		10	10	3	30	1
3	Vilhelm SVANSSON	?	ISL	10				1	10	3
4	Bárður LENVIG	?	FAR	10		10		2	20	2

Matches A

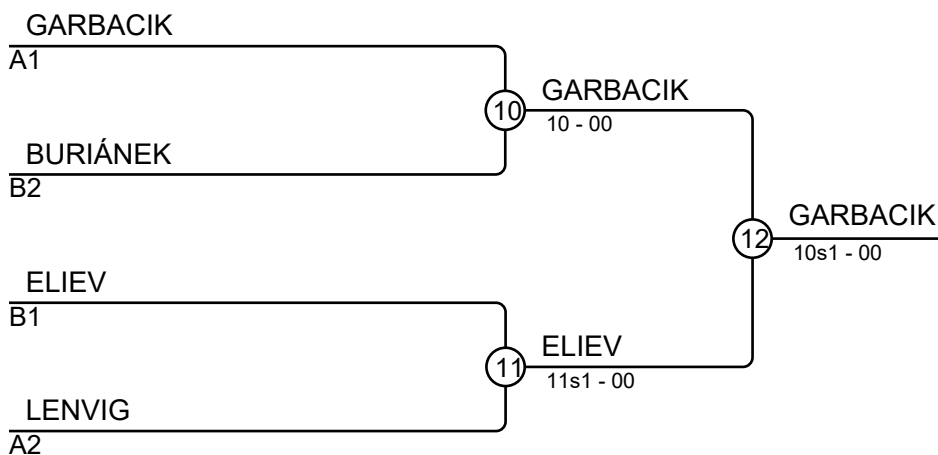
Match	White	Blue	Result	Time
1	Gunnar GUÐMUNDSSON 1 2	Bartlomiej GARBACIK	00-10	0:37
2	Vilhelm SVANSSON 3 4	Bárður LENVIG	00-10	3:13
4	Gunnar GUÐMUNDSSON 1 3	Vilhelm SVANSSON	00-11	0:53
5	Bartlomiej GARBACIK 2 4	Bárður LENVIG	10-00	0:14
7	Gunnar GUÐMUNDSSON 1 4	Bárður LENVIG	00-10	0:30
8	Bartlomiej GARBACIK 2 3	Vilhelm SVANSSON	10s1-00	0:47

Competitors B

#	Name	Grade	Club	5	6	7	Wins	Pts	Pos
5	Arnar BJÖRNSSON	?	ISL				0	0	3
6	Karel BURIÁNEK	?	CZE	10			1	10	2
7	Arthur ELIEV	?	FRA	10	10		2	20	1

Matches B

Match	White	Blue	Result	Time
3	Arnar BJÖRNSSON 5 6	Karel BURIÁNEK	00-11	3:11
6	Arnar BJÖRNSSON 5 7	Arthur ELIEV	00-10	0:46
9	Karel BURIÁNEK 6 7	Arthur ELIEV	00-10	1:18



Results

Pos	Name
1	Bartlomiej GARBACIK, POL
2	Arthur ELIEV, FRA
3	Karel BURIÁNEK, CZE
3	Bárður LENVIG, FAR