

# Reykjavik Judo Open 25. jan. 2020 M -90

Competitors A

Competitors: 6

#	Name	Club	1	2	3	Wins	Pts	Pos
1	Adam ÞÓRARINSSON	ISL			10	1	10	2
2	Jiri PETR	CZE	10		10	2	20	1
3	Hrafn ARNARSSON	ISL				0	0	3

## Matches A

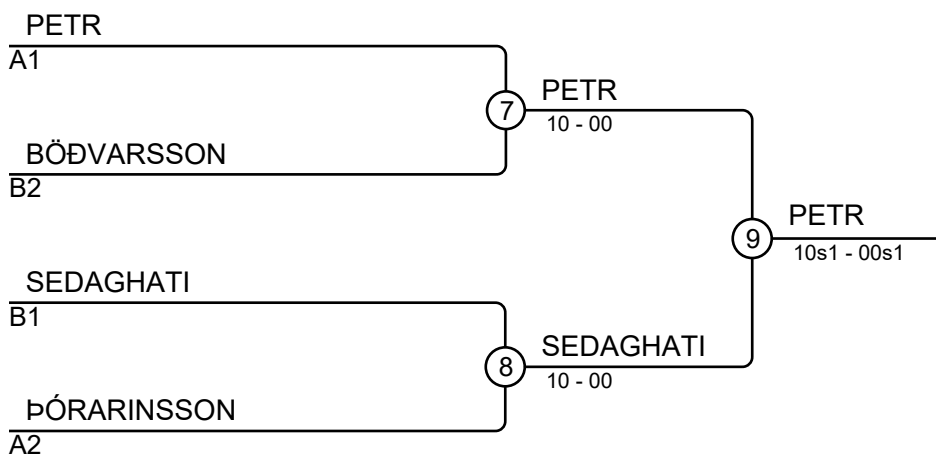
Match	White	Blue	Result	Time
1	Adam ÞÓRARINSSON 1	Jiri PETR 2	00-11	1:02
3	Adam ÞÓRARINSSON 1	Hrafn ARNARSSON 3	10-00	0:28
5	Jiri PETR 2	Hrafn ARNARSSON 3	10-00	0:23

## Competitors B

#	Name	Club	4	5	6	Wins	Pts	Pos
4	Ægir VALSSON	ISL		10		1	10	3
5	Mohammad SEDAGHATI	NOR			10	1	10	1
6	Úlfur BÖÐVARSSON	ISL	10			1	10	2

## Matches B

Match	White	Blue	Result	Time
2	Ægir VALSSON 4	Mohammad SEDAGHATI 5	11s1-00s1	3:44
4	Ægir VALSSON 4	Úlfur BÖÐVARSSON 6	00s2-11	3:21
6	Mohammad SEDAGHATI 5	Úlfur BÖÐVARSSON 6	10-00	1:07



## Results

Pos	Name
1	Jiri PETR, CZE
2	Mohammad SEDAGHATI, NOR
3	Úlfur BÖÐVARSSON, ISL
3	Adam ÞÓRARINSSON, ISL