

Reykjavík Judo Open 29. jan. 2022 WO

Competitors A

Competitors: 6

#	Name	Club	1	2	3	Wins	Pts	Pos
1	Jen ATKIN	GBR				0	0	3
2	Charlie BOND	GBR	10			1	10	2
3	Emilie SOOK	DEN	10	10		2	20	1

Matches A

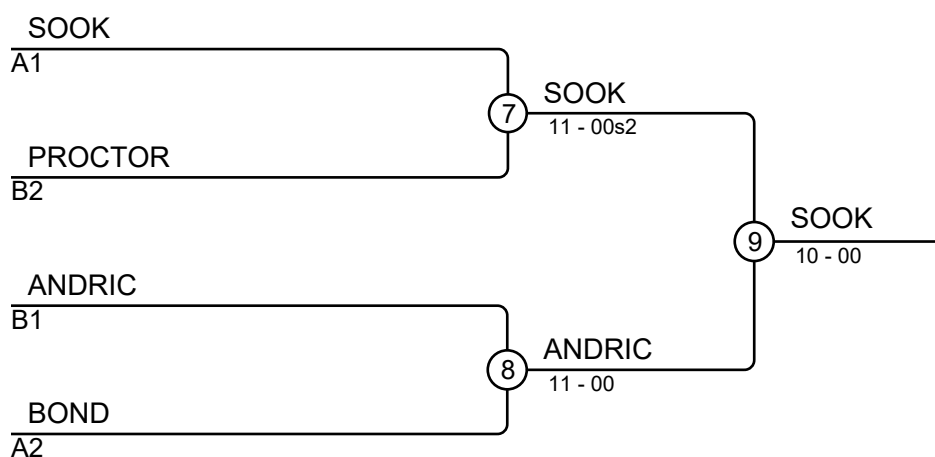
Match	White	Blue	Result	Time
1	Jen ATKIN	1 2 Charlie BOND	00-10	0:30
3	Jen ATKIN	1 3 Emilie SOOK	00-11	0:45
5	Charlie BOND	2 3 Emilie SOOK	00-10	1:13

Competitors B

#	Name	Club	4	5	6	Wins	Pts	Pos
4	Aleksandra ANDRIC	SRB		10	10	2	20	1
5	Roxy PROCTOR	GBR			10	1	10	2
6	Sille JENSEN	DEN				0	0	3

Matches B

Match	White	Blue	Result	Time
2	Aleksandra ANDRIC	4 5 Roxy PROCTOR	10-00s1	5:35
4	Aleksandra ANDRIC	4 6 Sille JENSEN	10-00	1:07
6	Roxy PROCTOR	5 6 Sille JENSEN	10-00	0:31



Results

Pos	Name
1	Emilie SOOK, DEN
2	Aleksandra ANDRIC, SRB
3	Roxy PROCTOR, GBR
3	Charlie BOND, GBR